

## Series 1103P

### Miniature Pressure Switch

Nega-Rate® Belleville disc spring/diaphragm pressure sensing mechanism. Small size and stainless steel construction is designed for the most hostile vibration, shock and temperature environments.

- Vented gage switch
- Welded stainless steel construction



### General Specifications

- Set point range from 5 to 105 psig
- Deadband range from 3.5 psi or 15%, whichever is greater, to 45% of the set point
- Proof pressure up to 750 psig
- Pressure capable all stainless steel, heliarc welded and leak proof to  $1 \times 10^{-6}$  SCC/SEC
- SPDT snap action switch element
- Temperature Range
  - Amibient -65°F to +275°F
  - 54°C to +135°C
- Media
  - 65°F to +400°F
  - 54°C to +204°C
- Vibration capability to 15G's

### Typical Options

- Set point from 0.5 to 1000 psig
- Narrow to wide deadband
- Proof pressure up to 4500 psig
- Dry circuit to 7 amps 28 VDC electrical rating
- DPDT snap action switch element for patented shunt-disc
- Electrical assembly hermetically sealed per MIL-HDBK-5400 Para. 3.8
- Pressure connector per most military specifications or wire lead per MIL-W-16878/4
- Operating (ambient) temperature up to 400°F (204°C)
- Vibration capabilities up to 40G's with a switch element, or 100G's (high frequency) with a patented shunt-disc (Patent No. 3876845)
- QPL listing per MIL-S-9395
- Flameproof capability
- Manual reset indicator
- Check-out feature

### Heritage

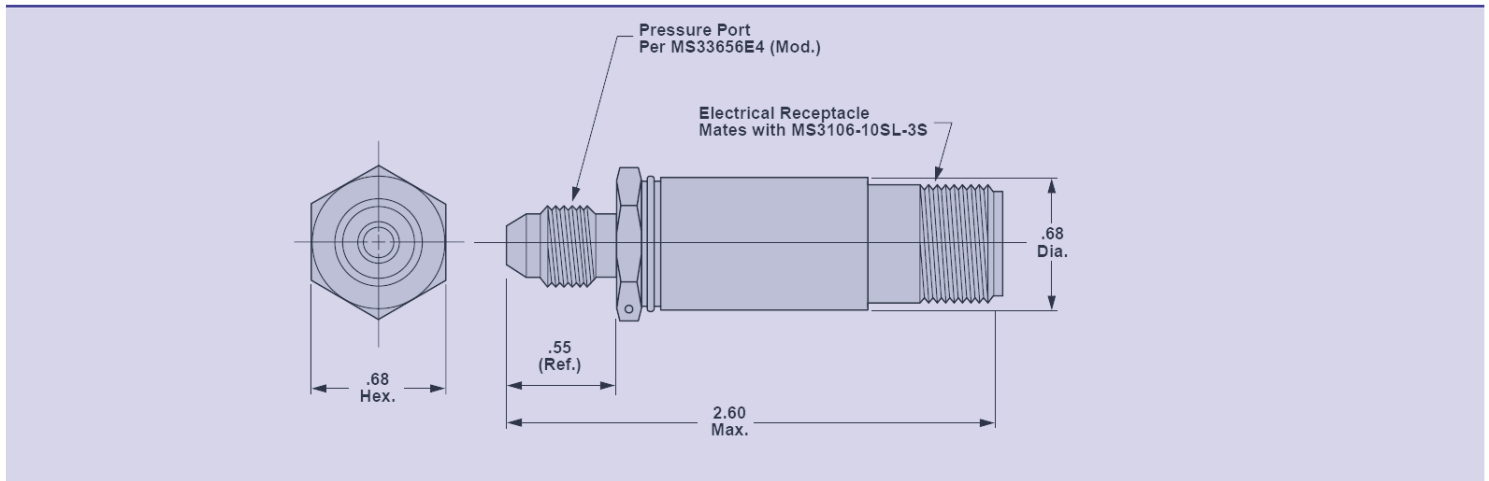
The Series 1103P is the backbone of the ITT Neo-Dyn switches. It has a long history of usage in both Commercial, Space and Military applications.

Customers: Aerospaziale, Agusta, Alenia, Honeywell, BAe, Bell Helicopter, Boeing, Cessna, Dowty, EMBRAER, Ferranti, GKN Westland, Hamilton Standard, LearJet, Lockheed-Martin, Saab, Sikorsky, and Sperry.

Programs: The following list is an example of some of the programs that utilize the 1103P switch: 747, 777, A320, A340, A380, C130, C17, Cheyenne, DC9, DC10, Dash 8, EMB 110 & 120, JAS39, JetStream, LearJet, MD11, Space Shuttle, V22, and XK1 Tank.

# Series 1103P - Pressure Switch

## Envelope Dimensions



## Basic Principles of Design

