

Opto Electronic Actuator (OEA)

ITT Aerospace Controls' patented Opto Electronic Actuator (OEA) uses optical, non-contact, position sensing with solid state switching and incorporates an electrically isolated output shaft. The Opto-electronic switches and a solid state H-bridge motor drive replace the older electromechanical position sensing and motor drives (relays and micro-switches) used in other typical actuator designs. The Opto Electronic actuator's Isolated Output Shaft eliminates the possibility of electrical energy being passed through the output shaft and creating a safety hazard.



Features

- Patented Optical Switching
- Patented Output Shaft Electrical Isolation
- 25 in-lb Rated Load
- Endurance Life to 100,000 Cycles and Rated Load
- FAR 25.981 and SFAR88 Compliant
- Low Weight
- Low Power Consumption
- Operates from 18 to 36 VDC Power Sources
- Manual Override Clutch Standard
- Environmentally Sealed
- EMI/RFI Filtering Standard

Safety is improved by replacing the standard Stainless Steel output shaft with ITT's patented Electrical Isolation Output Shaft which prevents electrical energy from passing through the output shaft.

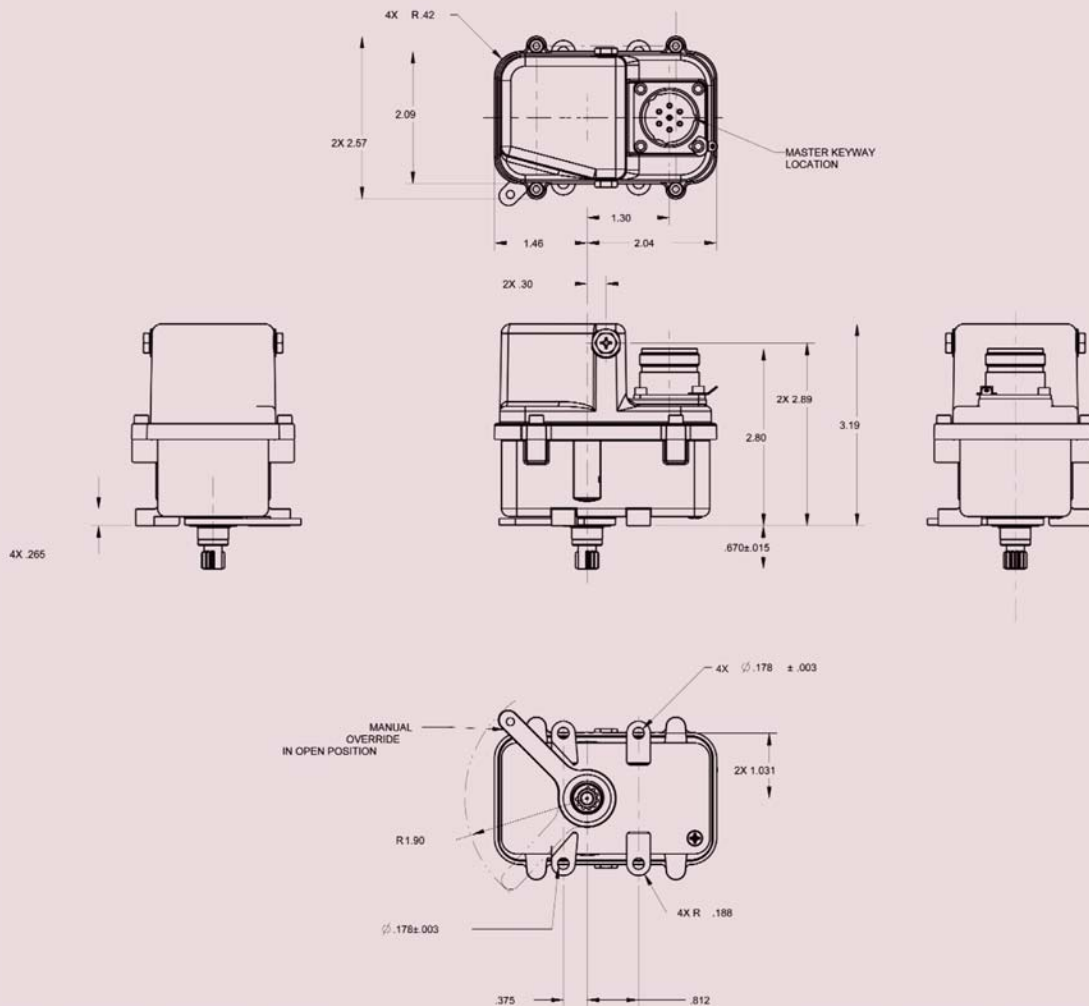
High Reliability is achieved by removing mechanical parts that wear, such as micro-switches and relays, and replacing them with non-contacting optical switches and a solid state H-bridge.

Opto Electronic Actuator (OEA)

Typical Specifications

Type:	Motor Operated-Permanent Magnet
Voltage:	Nominal 28 VDC, Range 18-36 VDC
Current:	500 mA Typical - Running, 20 mA-Idle
Torque Load:	Rated 25 in-lb
Operating Time:	1.7 to 5 seconds over voltage and temperature range
Duty Cycle:	Intermittent
Manual Override & Position Indicator:	Allows output shaft rotation without back driving of the motor and gear train. Does not affect mechanical or electrical phasing.
Electrical Connector:	As Required
Dielectric Strength:	1500 VAC
Insulation Resistance:	100 Megohms minimum at 500 VDC
Weight:	1.2 lbs maximum

Basic Dimensions (Inches)



ITT Aerospace Controls
28150 Industry Drive
Valencia, CA 91355
tel: 661 295-4000
www.ittaerospace.com