

1193P Absolute Pressure Switch

Miniature Absolute Pressure Switch

Nega-Rate® Belleville disc spring/diaphragm sensing mechanism and welded stainless steel construction ensures absolute setting integrity.

- Hermetically sealed absolute switch
- Welded stainless steel construction



General Specifications

- Set point range from 5 to 105 psia
- Deadband range from 3.5 psi or 15%, whichever is greater, to 45% of the set point
- Proof pressure up to 300 psia
- Pressure capsule all stainless steel, heliarc welded and leak proof to 1×10^{-9} SCC/SEC
- SPDT snap action switch element
- Electrical rating 1 amp 28 VDC, 200 volts dielectric
- Electrical chamber hermetically sealed per MIL-HDBK-5400 Para. 3.8
- Temperature Range:
 - Ambient -65°F to +275°F (-54°C to +135°C)
 - Media -65°F to +400°F (-54°C to +204°C)
- Vibration capability to 15G's

Optional Features

- Set point range from 0.5 to 300 psia
- Narrow to wide deadband
- Dry circuit electrical rating
- DPDT snap action switch element or patented shunt-disc
- Electrical connector per most military specifications or wire leads per MIL-W-16878/4
- Pressure connection per most military specifications
- Operating (ambient) temperature up to 400°F (204°C)
- Vibration capabilities up to 25G's with a switch element, or 100G's with a patented shunt-disc (Patent No. 3876845)

Heritage

The Series 1193P has seen extensive usage in numerous applications including Commercial & Military Aircraft (both helicopters and airplanes), Military Missiles and Military Land and Sea (tanks & submarines).

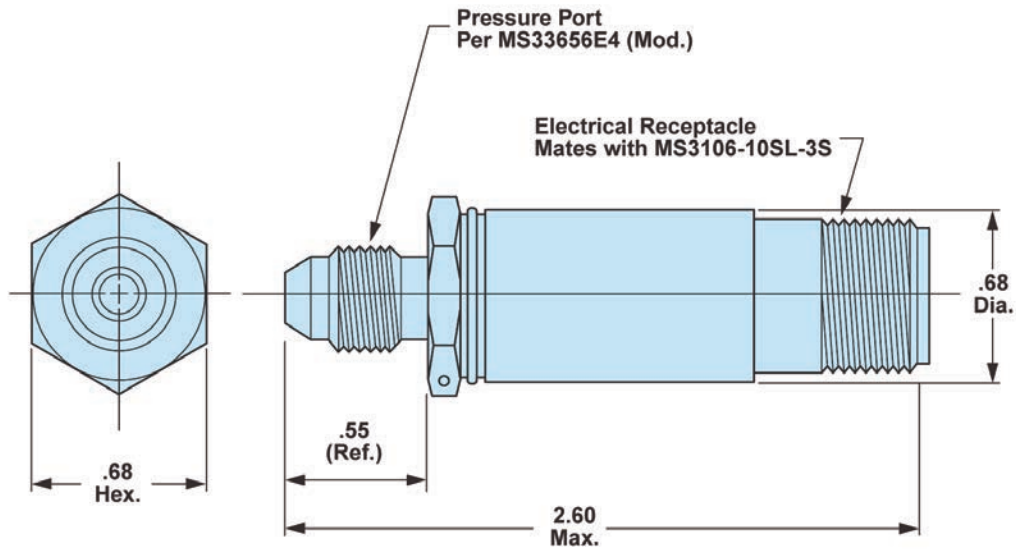


ITT

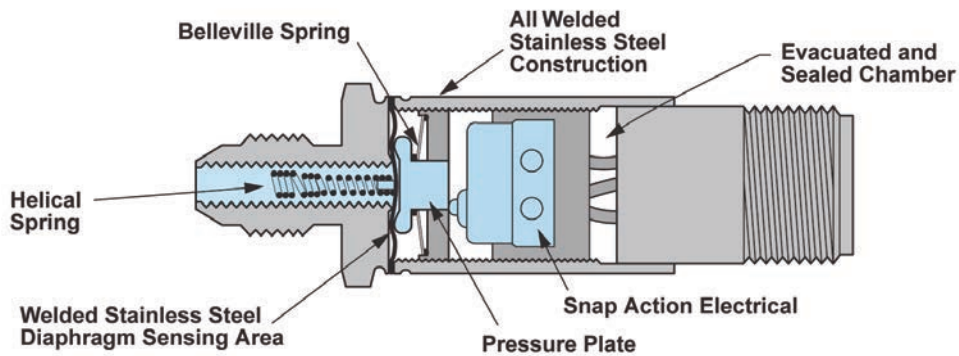
ITT Aerospace Controls | 28150 Industry Drive | Valencia, CA 91355, USA
Phone: 661-295-4000 | Fax: 661-294-1750
Email: sales.aerospace@itt.com | Web: www.ittaerospace.com

1193P Absolute Pressure Switch

Envelope Dimensions



Basic Principles of Design



ITT

ITT Aerospace Controls | 28150 Industry Drive | Valencia, CA 91355, USA
Phone: 661-295-4000 | Fax: 661-294-1750
Email: sales.aerospace@itt.com | Web: www.ittaerospace.com

AER0932-1184 04/24

Specifications and dimensions subject to change.